

If you have questions or comments, contact us.
 Pour toute question ou tout commentaire, nous contacter.
 Si tiene dudas o comentarios, contáctenos.

1-844-377-8451 • www.dewalt.com

INSTRUCTION MANUAL
 GUIDE D'UTILISATION
 MANUAL DE INSTRUCCIONES

INSTRUCTIVO DE OPERACIÓN, CENTROS DE SERVICIO Y PÓLIZA
 DE GARANTÍA. ADVERTENCIA: LEÁSE ESTE INSTRUCTIVO ANTES
 DE USAR EL PRODUCTO.

DEWALT®

DXST4500BLK-W

Black Industrial Rack with Wire Grids 4-Foot Tall (121.92 cm) / 3-Shelf

Anaqueil industrial negro de 4 pies de alto (121.92 cm) con rejillas metálicas con 3 estantes

Étagère industrielle noire avec grilles métalliques, d'une hauteur de 4 pieds (121,92 cm) à 3 plateaux

JS PRODUCTS | 6445 MONTESSOURI STREET, LAS VEGAS, NV 89113
 (SEP20) Part No. 41659 DXST4500BLK-W Copyright © 2020, DEWALT

Copyright © 2020 DEWALT.

DEWALT® and the DEWALT Logo are trademarks of the DEWALT Industrial Tool Co., or an affiliate thereof and are used under license. The yellow/black color scheme is a trademark for DEWALT power tools & accessories.

Definitions: Safety Guidelines

The definitions below describe the level of severity for each signal word. Please read the manual and pay attention to these symbols.

▲ WARNING: Indicates a potentially hazardous situation which, if not avoided, **could** result in **death or serious injury**.

▲ CAUTION: Indicates a potentially hazardous situation which, if not avoided, **may** result in **minor or moderate injury**.

▲ (Used without word) Indicates a safety related message.

NOTICE: Indicates a practice **not related to personal injury** which, if not avoided, **may** result in **property damage**.

IF YOU HAVE ANY QUESTIONS OR COMMENTS ABOUT THIS OR ANY DEWALT TOOL, CALL US TOLL FREE AT: 1-844-377-8451



WARNING! Read and understand all instructions. This manual contains important safety and operating instructions. Please read this manual carefully before assembling this storage rack and save it for reference.

SAVE THESE INSTRUCTIONS

TECHNICAL SPECIFICATIONS

Technical Specifications	
Total Capacity	4,500 lb (2,041 kg) *when weight is evenly distributed
Capacity per Shelf	1,500 lb (680 kg) *when weight is evenly distributed
Height	47" (119.4 cm)
Width	49.5" (126 cm)
Depth	18" (45.7 cm)

▲ GENERAL SAFETY

- Keep work area clean and dry.
- Use correct/recommended tools for the job.
- Never leave unattended tools plugged in or running.
- Never force a part into place.
- Wear appropriate safety apparel for the job you are doing.
- Wear safety glasses/goggles.
- Never crawl, sit, stand, or climb on the rack.
- Keep small parts away from children. Never leave a small child unattended while assembling.
- Always use common sense – your personal safety is your responsibility.

SPECIFIC SAFETY FOR WALL MOUNT BRACKET

▲ WARNING: Serious injury or death can occur from the rack tipping over. To prevent this, the rack must be secured to a wall, especially in earthquake-prone areas, or where surfaces are uneven, and where children and/or pets are present.

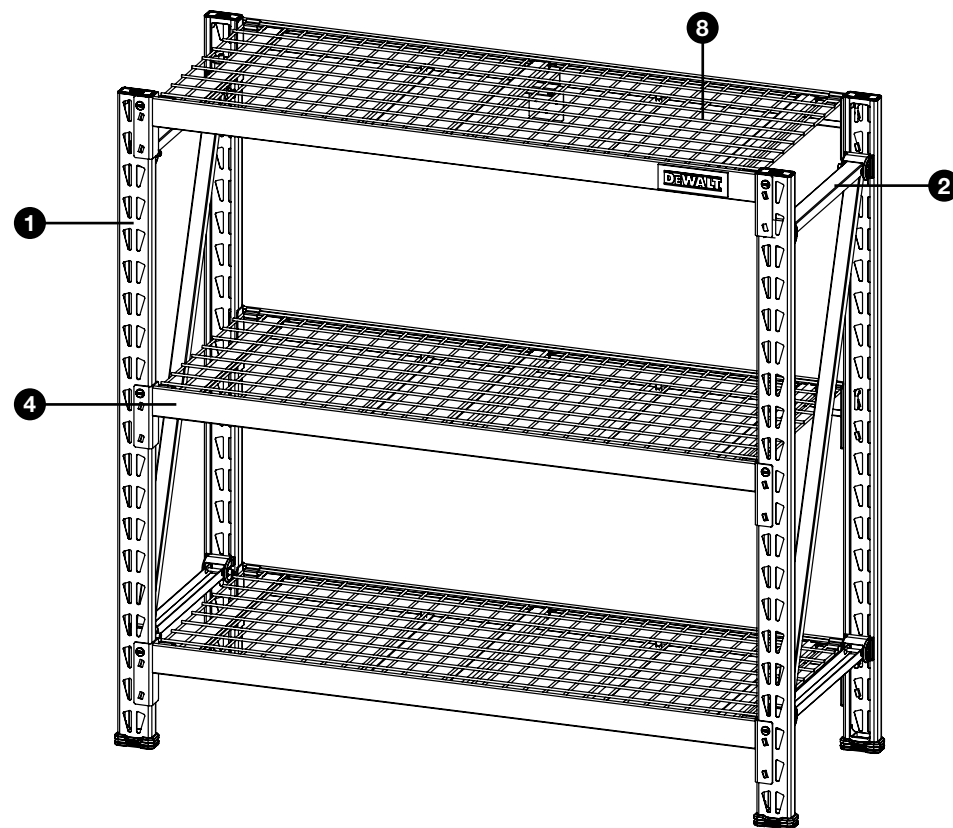
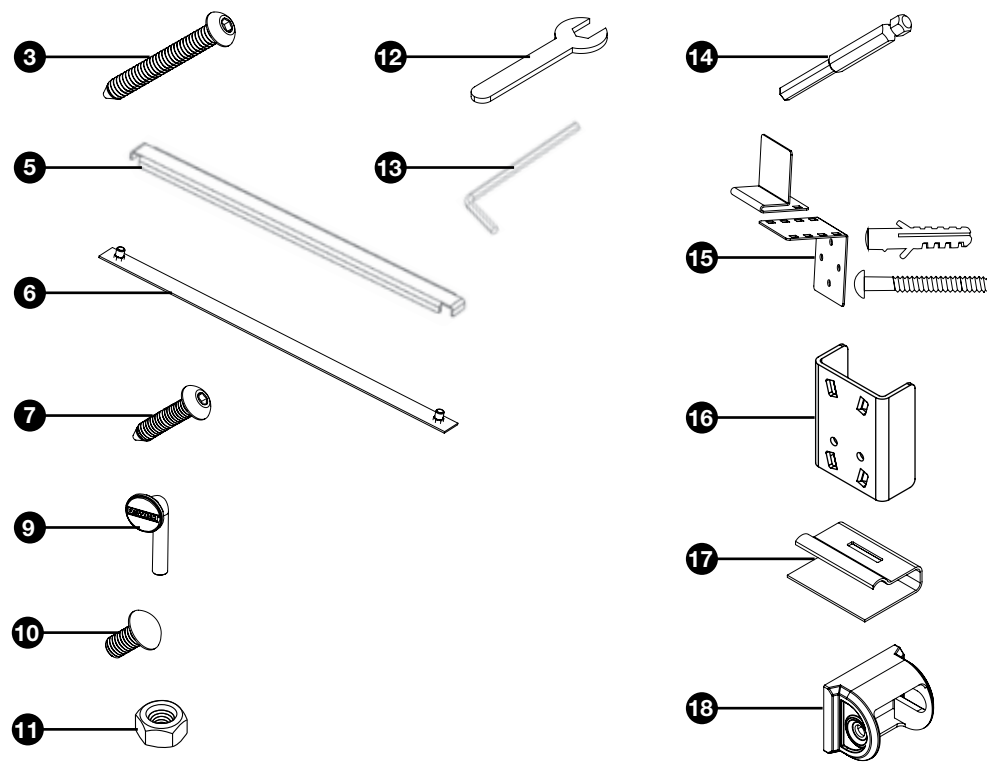
▲ Different wall materials require different types of fasteners. Use fasteners suitable for your specific type of wall. If you are uncertain about what type of fastener to use, then please contact your local hardware store.

▲ WARNING: NEVER EXCEED THE FOLLOWING WEIGHT LIMITS FOR THIS RACK

- Maximum load for each shelf: Up to 1,500 lb (680 kg) when weight is evenly distributed.
- It is recommended that the heaviest load be placed on the bottom shelf.

Parts List

No.	Description	Qty.	No.	Description	Qty.
1	Vertical Beam	2	10	Carriage Bolt	2
2	Pre-Bolted Vertical Assembly	2	11	10 mm Nut	2
3	Vertical Assembly Bolt	4	12	10 mm Wrench	1
4	Crossbeam	6	13	4 mm Hex Key	1
5	Shelf Support Strap	9	14	4 mm Hex Bit	1
6	Safety Strap With Weld Nut	6	15	Wall Mount Bracket Assembly	1
7	Safety Strap Bolt	12	16	Stacking Plate	2
8	Wire Grid	3	17	Locking Grid Clip	12
9	Locking Shelf Pin	16	18	U-Bracket Cover	4



Tools Required for Rack Assembly: 4 mm Hex Key (included) OR 4 mm Hex Bit (included); Rubber Mallet (not included), Flat-Head Screwdriver (not included)

READ ALL INSTRUCTIONS

▲ BEFORE YOU BEGIN:

- Read all instructions thoroughly.
- Remove all components from the box, and lay them on the floor in an orderly fashion.
- Wear eye protection.
- Be cautious of sharp edges.
- Keep this information for further reference.
- If you are not stacking a second rack at this time, then please store the Stacking Plates for potential future use as they will be needed.

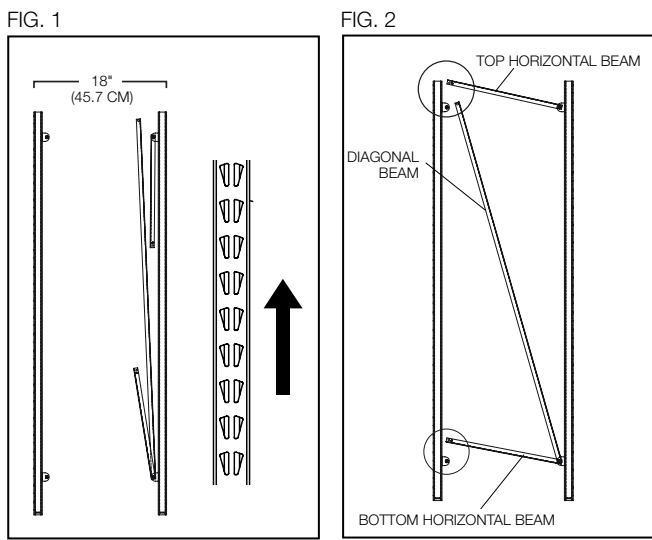
▲ WARNING: Serious or fatal crushing injuries can occur from rack tipping over. To prevent this, the assembled rack must always be secured to a wall, especially in earthquake-prone environments, where surfaces are uneven, and where children and/or pets are present.

Expandable Upright Frame Instructions (Fig. 1-2)

NOTE: For ease of assembly, two (2) vertical beams feature pre-bolted horizontal and diagonal beams, as well as pre-attached U-bracket covers.

1. Place one (1) vertical beam and one (1) pre-bolted vertical beam on the floor, parallel to one another (about 18"/45.7 cm apart). The widest part of the teardrop-shaped hole pattern on each beam should be facing upward (or away from you). (Fig. 1)
2. There are two versions of the U-bracket covers - an "A" side and a "B" side. Before moving forward, cover the U-shaped brackets on the vertical beam with the covers by mirroring the covers on the pre-bolted vertical assembly.
3. Insert the free end of the diagonal beam into the free end of the horizontal beam. Align the holes, and insert both beams into the U-shaped bracket at the top of the opposing vertical beam. Use the included hex key or drill bit to thread the vertical assembly bolt through the holes and into the weld nut attached to the U-shaped bracket. Do not fully tighten the bolt yet. (Fig. 2)

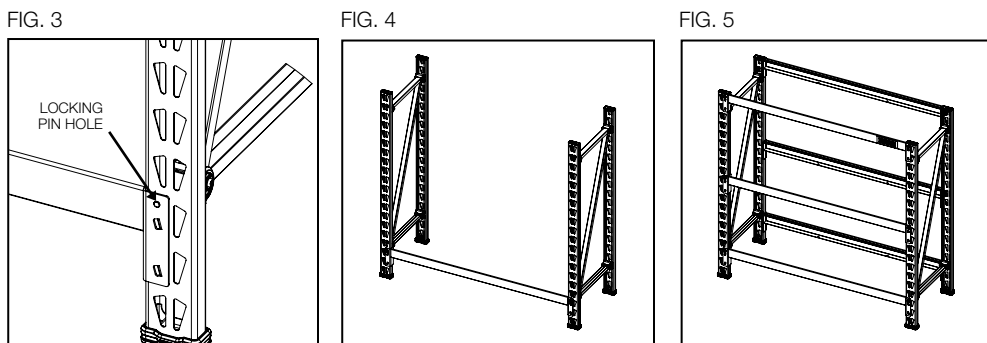
- Swing out the bottom horizontal beam, and insert it into the U-shaped bracket at the bottom of the opposing vertical beam. Thread a vertical assembly bolt through the holes and into the weld nut. Do not fully tighten the bolt. (Fig. 2)
- Repeat Steps 1-4 to assemble the second upright frame. Once both are assembled, fully tighten the bolts on all four corners. Be careful not to over-tighten the bolts; there should be no deformation of the U-shaped brackets and/or horizontal beams.



Crossbeam Instructions (Fig. 3-5)

NOTE: It is recommended for one person to hold the upright frames in place while a second person installs the crossbeams.

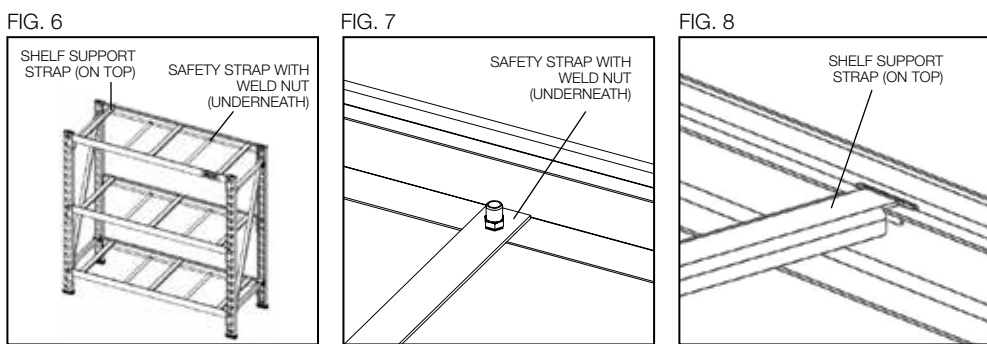
- There is a set of locking tabs at both ends of every crossbeam. To begin assembly, take one crossbeam and insert the tabs into two of the holes on the lower portion of one upright frame. Engage the locking tabs into the holes using a downward motion. The locking pin hole should be at the top. Make sure the end of the crossbeam is flush against the upright frame. (Fig. 3)
- Repeat for the opposite side of the upright frame. Tap the ends of the crossbeam closest to the upright frames with a rubber mallet until fully seated. The crossbeam and locking tabs should easily slip into place. If they do not, then recheck the alignment of the teardrop-shaped holes and tabs. Too much force may damage the interlock between the crossbeam and upright frame. (Fig. 4)
- Using the methods listed above, install another crossbeam to the opposite side of the upright frames, parallel to the first crossbeam you installed. Make sure both crossbeams are at the same level. (Fig. 5)
- Continue by installing the middle and top sets of crossbeams to the upright frames. Make sure the crossbeams are attached at the same level on both sides (Fig. 5). If you plan to stack another DXST4500 Industrial Rack on top, then DO NOT attach the third set of crossbeams to the very top of the upright frames. See Stacking Instructions.



Shelf Support and Safety Strap Instructions (Fig. 6-8)

NOTE: There are two (2) safety straps with weld nuts and three (3) shelf support straps on every set of crossbeams. (Fig. 6)

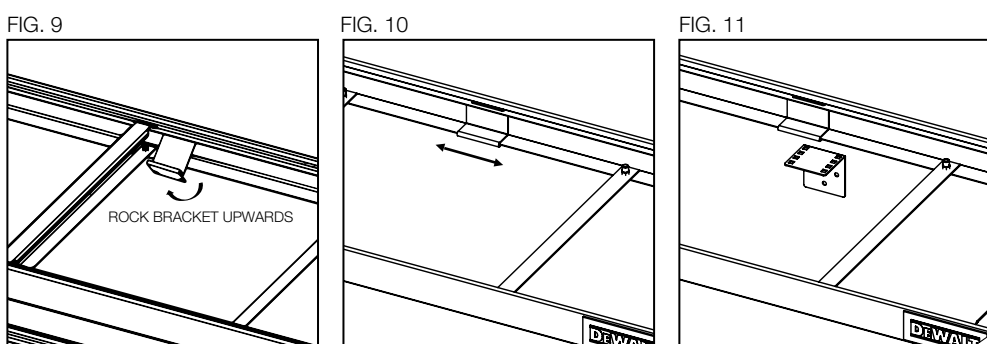
- Starting with the lowest set of crossbeams, place a safety strap with weld nut between the lower ridges of the crossbeams where two sets of holes have been pre-drilled. Thread a safety strap bolt up through the bottom of the pre-drilled holes and through the weld nuts, and fully tighten with the included hex key or drill bit. Repeat for the second strap on this set of crossbeams, and continue for the last four straps. (Fig. 7)
- Place a shelf support strap perpendicular to the crossbeams, and insert each end into the slots on each ridge of the crossbeam. Repeat for the remaining eight straps. (Fig. 8)



Wall Mounting Instructions (Fig. 9-11)

▲ Drywall anchors and anchor screws are included with this rack; however, different wall materials require different types of fasteners. Use fasteners suitable for your specific type of wall. If you are uncertain about what type of fasteners to use, then please contact your local hardware store.

- Take the U-shaped bracket and rock it up at an angle to attach it to the bottom inner channel of the crossbeam. Once attached, the back portion will sit flush against the inside of the crossbeam. (Fig. 9)
- Once attached, the U-shaped bracket can be moved from side to side (in between the two safety straps). This allows for it to be attached to a 2 x 4 in the wall. (Fig. 10)
- The L-shaped bracket has two sets of four square holes that allow you to adjust the distance of the rack to the wall. Use two carriage bolts and two 10 mm nuts to attach the L-shaped bracket to the bottom of the U-shaped bracket. (Fig. 11)
- Position the rack so the flat end of the L-shaped bracket is touching the wall. Use a pencil to mark the location of the four holes on the wall. Use the included drywall anchors, anchor screws, and the appropriate tools if you're securing the rack to drywall only. Be sure to follow standard instructions for installing anchor screws. (Fig. 11)



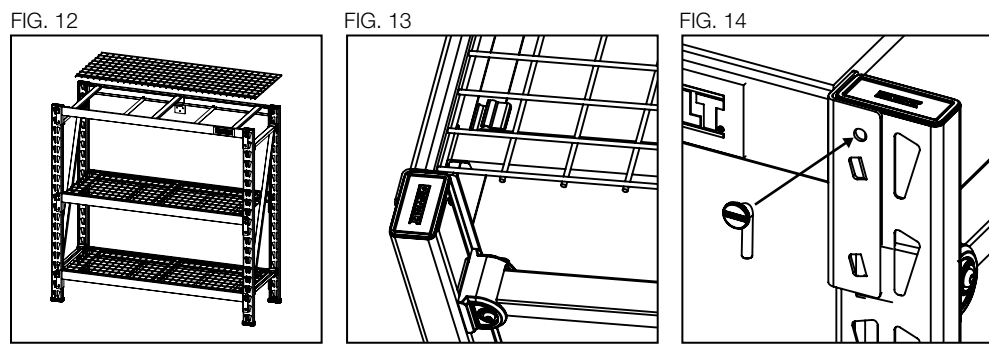
▲WARNING: Serious injury or death can occur from the rack tipping over. To prevent this, the rack must be secured to a wall, especially in earthquake-prone areas, or where surfaces are uneven, and where children and/or pets are present.

▲ Different wall materials require different types of fasteners. Use fasteners suitable for your specific type of wall. If you are uncertain about what type of fastener to use, then please contact your local hardware store.

Wire Grid and Locking Shelf Pin Instructions (Fig. 12-14)

NOTE: Each wire grid consists of two sides – a “short” side and “long” side. If you plan on sliding objects on and off of the shelf from the front of the rack, then we recommend having the “short” side of the grid facing upward. If you plan on sliding objects from the side of the rack, then we recommend having the “long” side facing upward.

- Place the wire grids onto the top ridge of all sets of crossbeams. If seated properly, the grids will “pop” into place and lay evenly. (Fig. 12)
- Place a locking grid clip at the outermost corner of the shelf. Make sure the rolled edge with the groove is facing upwards. (Fig. 13)
- With one hand, apply pressure to the back of the clip. With your free hand, insert a flat-head screwdriver (not included) into the small slot in the clip to spread the tine up and over the wire that is underneath. (Fig. 13)
- Pull back on the screwdriver. The grooved channel in the clip should now match up with the wire decking, which will help secure it to the shelf beam. (Fig. 13)
- Repeat Steps 2-4 the remaining three corners of the wire grid, and then again for all the remaining shelves. (Fig. 13)
- There is a locking pin hole at both ends of every crossbeam. This is where the locking shelf pins are to be installed. If a pin does not easily slip into place, then moderately tap the end of the crossbeam to fully seat the locking tabs. (Fig. 14)

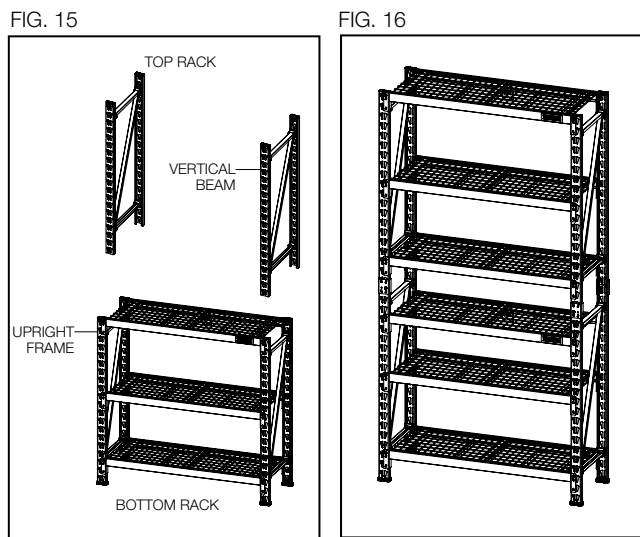


Stacking Instructions (Fig. 15-16)

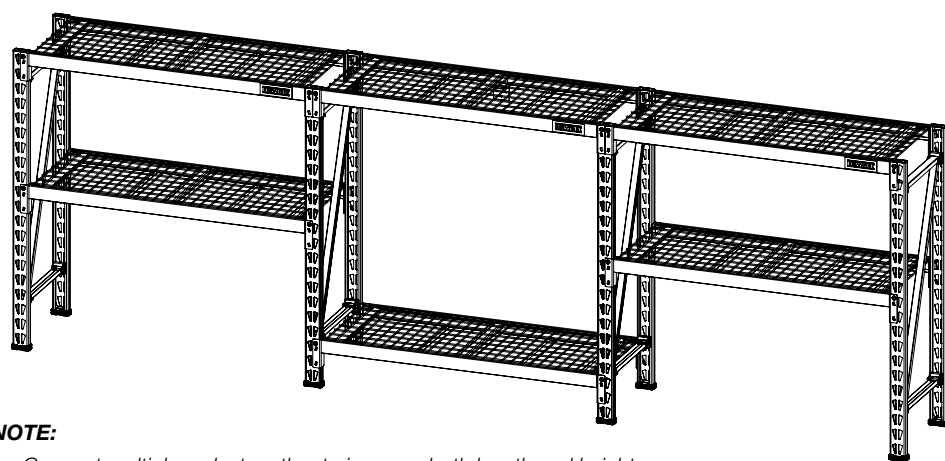
NOTE: Every DXST4500-W Industrial Rack comes with two (2) stacking plates. In order to safely stack two of these racks together, you MUST use four (4) of these plates.

NOTE: It is recommended that one person holds the upright frames in place while a second person installs the stacking plates.

- Assemble the second set of upright frames by following the Expandable Upright Frame Instructions. (Fig. 15)
- Using a screwdriver and rubber mallet, remove all four black caps from the bottom of the newly assembled upright frames. This will now become the top rack. Remove all four black caps from the top of the fully assembled rack. This will now become the bottom rack. (Fig. 15)
- Line up and place an upright frame on top of one side of the fully assembled rack. Be sure the hole patterns are going in the same direction. The stacking brackets feature a top and bottom set of locking tabs. Engage the top set of tabs into the very bottom of the vertical beam and the bottom set of locking tabs into the very top of the upright frame. Use the same downward motion to attach these brackets as you did for the crossbeams. The locking pin holes on the bracket should be at the bottom. Repeat for the remaining three stacking brackets. (Fig. 15)
- Insert the locking shelf pins into the open pin holes on the brackets. Assemble the remaining pieces of the top rack by following the previous instructions. (Fig. 1-14)



Maximize your DEWALT Storage Options



NOTE:

- Connect multiple racks together to increase both length and height.
- Additional racks are sold separately.

One Year Limited Warranty

DEWALT will replace this Industrial Rack due to faulty materials or workmanship for one year from the date of purchase (please be sure to keep your receipt). This warranty does not cover part failure due to normal wear or rack abuse. This warranty does not apply to accessories or damage caused where repairs have been made or attempted. For further detail of warranty coverage, call 1-844-377-8451.

In addition to the warranty, DEWALT racks are covered by our:

90 Day Money Back Guarantee

If you are not completely satisfied with the performance of your DEWALT Industrial Rack for any reason, you can return it within 90 days from the date of purchase with a receipt for a full refund – no questions asked.

Latin America

This warranty does not apply to products sold in Latin America. For products sold in Latin America, see country specific warranty information contained in the packaging, call the local company or see website for warranty information.

Définitions : Règles de sécurité

Les définitions ci-dessous décrivent le niveau de danger pour chaque mot indicateur employé. Lire le mode d'emploi et porter une attention particulière à ces symboles.

▲ AVERTISSEMENT : indique une situation potentiellement dangereuse qui, si elle n'est pas évitée, **pourrait entraîner la mort ou des blessures graves.**

▲ ATTENTION : indique une situation potentiellement dangereuse qui, si elle n'est pas évitée, **pourrait entraîner des blessures légères ou modérées.**

▲ (Si utilisé sans aucun terme) Indique un message propre à la sécurité.

AVIS : indique une pratique ne posant **aucun risque de dommages corporels** mais qui par contre, si rien n'est fait pour l'éviter, **pourrait poser des risques de dommages matériels.**

POUR TOUTE QUESTION OU REMARQUE AU SUJET DE CET OUTIL OU DE TOUT AUTRE OUTIL DEWALT, COMPOSEZ LE NUMÉRO SANS FRAIS: **1-844-377-8451.**



Avertissement ! Lire et comprendre toutes les directives.
Ce manuel contient des consignes de sécurité et d'utilisation importantes. Veuillez lire attentivement ce manuel avant d'assembler cette étagère de rangement et le conserver à titre de référence.

CONSERVER CES CONSIGNES

SPÉCIFICATIONS TECHNIQUES

Spécifications Techniques	
Charge maximale	4 500 lb (2 041 kg) *sous réserve de réparation égale du poids
Charge maximales par tablette	1 500 lb (680 kg) *sous réserve de réparation égale du poids
Hauteur	47 po (119,4 cm)
Largeur	49.5 po (126 cm)
Profondeur	18 po (45.7 cm)

▲ MESURES DE SÉCURITÉ GÉNÉRALES

- Gardez la zone de travail propre et sèche.
- Utilisez des outils appropriés/recommandés pour le travail.
- Ne laissez jamais les outils sans surveillance.
- Ne forcez jamais une pièce.
- Portez des vêtements de sécurité.
- Portez des lunettes de sécurité.
- Assurez-vous de ne jamais ramper, vous assoir, vous tenir debout ou grimper sur un support.
- Gardez les petites pièces hors de la portée des enfants. Ne laissez jamais un jeune enfant sans surveillance lors de l'assemblage.
- Utilisez toujours le bon sens; votre sécurité personnelle est votre responsabilité.

MESURES DE SÉCURITÉ SPÉCIFIQUES POUR LE SUPPORT DE MONTAGE MURAL

▲ AVERTISSEMENT : Des blessures graves ou la mort peuvent survenir en cas de basculement de l'étagère. Pour cette raison, l'étagère doit être fixée à un mur et ce, en particulier dans les zones sujettes aux séismes, là où les surfaces sont inégales et là où des enfants ou des animaux domestiques sont présents.

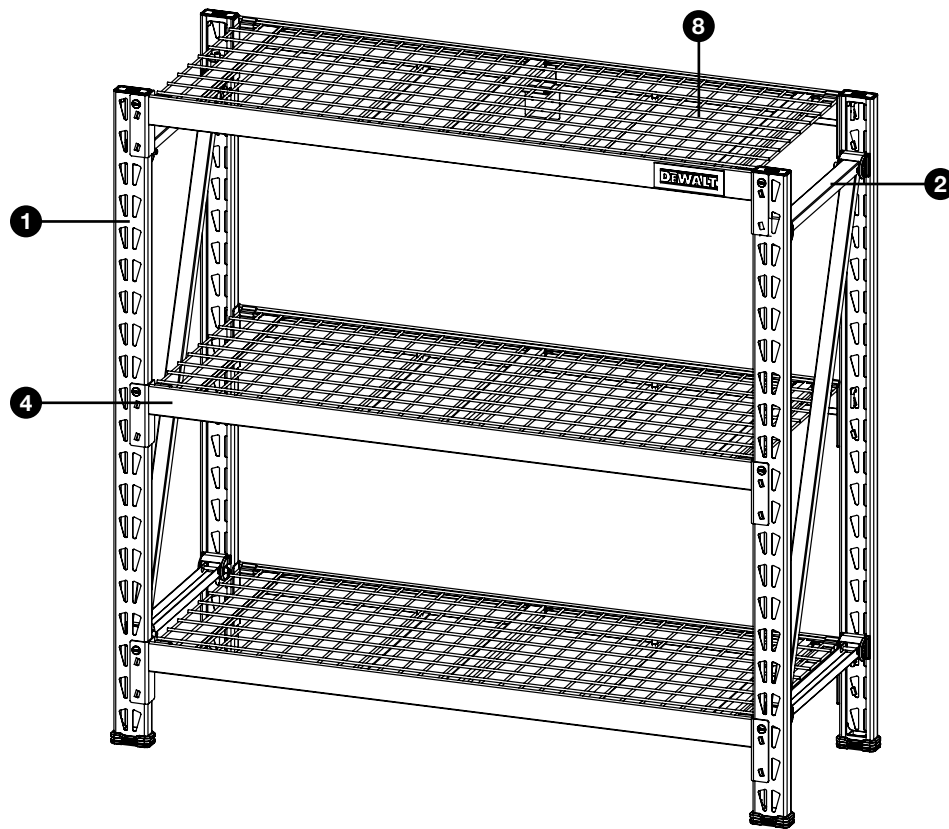
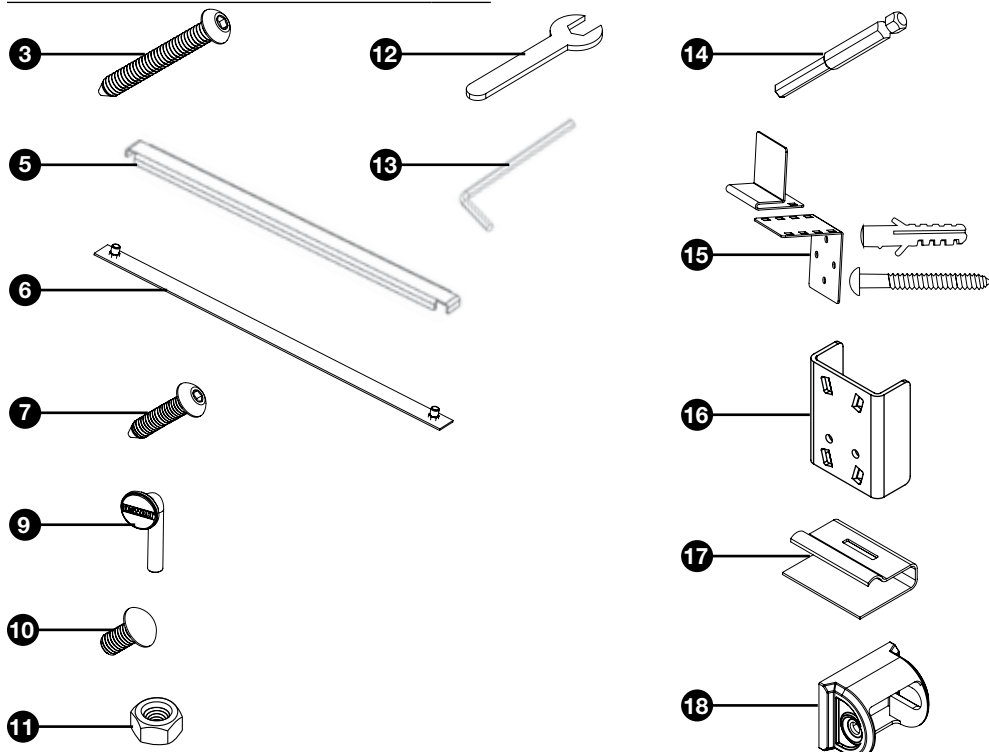
▲ Différents types de fixations doivent être employés selon les types de matériaux muraux. Utilisez des fixations adaptées à la surface murale concernée. Si vous ne savez pas quel type de fixations utiliser, veuillez communiquer avec votre quincaillerie locale.

▲ AVERTISSEMENT : NE DÉPASSEZ PAS LES CHARGES MAXIMALES SUIVANTES POUR CETTE ÉTAGÈRE

- Charge maximale pour chaque étagère : jusqu'à 1 500 lb (680 kg) lorsque le poids est réparti uniformément.
- Il est recommandé que la charge la plus lourde placée sur l'étagère inférieure.

Liste des pièces

N°	Description	Qté	N°	Description	Qté
1	Poutre verticale	2	10	Boulons mécaniques	2
2	Assemblage vertical pré-boulonné	2	11	Écrou de 10 mm	2
3	Boulon de l'assemblage vertical	4	12	Clé 10 mm	1
4	Traverse	6	13	Clé Allen de 4 mm	1
5	Sangle du support de l'étagère	9	14	Écrou hexagonal	1
6	Sangle de sécurité avec écrou à souder	6	15	Fixation de montage mural	1
7	Boulon de la sangle de sécurité	12	16	Plaque d'empilement	2
8	Grillage métallique	3	17	Pince pour grille verrouillable	12
9	Goupille de verrouillage de l'étagère	16	18	Couvercle de support en U	4



Outils requis pour l'assemblage du support : Clé Allen de 4 mm (inclus) OU écrou hexagonal de 4 mm (inclus); Maillet en caoutchouc (non inclus, tournevis à tête plate (non inclus).

LIRE TOUTES LES CONSIGNES

▲ AVANT DE COMMENCER :

- Veuillez lire attentivement toutes les instructions.
- Retirez tous les éléments de la boîte et placez-les sur le sol de façon ordonnée.
- Portez des lunettes de protection.
- Faites attention aux bords tranchants.
- Conservez ces renseignements pour consultation ultérieure.
- Si vous n'empilez pas une seconde étagère, rangez les plaques d'empilement pour une utilisation future potentielle, car elles seront nécessaires.

▲ AVERTISSEMENT : Des blessures graves ou la mort peuvent survenir en cas de basculement de l'étagère. Pour cette raison, l'étagère assemblée doit être fixée à un mur et ce, en particulier dans les zones sujettes aux séismes, là où les surfaces sont inégales et là où des enfants ou des animaux domestiques sont présents.

Instructions pour le châssis vertical extensible (Fig. 1-2)

REMARQUE : pour faciliter l'assemblage, deux (2) poutres verticales sont dotées de poutres horizontales et diagonales pré-boulonnées, ainsi que des couvercles de fixation en U préfixés.

1. Placez une (1) poutre verticale et un (1) assemblage vertical pré-boulonné sur le sol, en parallèle les uns aux autres (environ 18 po/45,7 cm d'intervalle). La partie la plus large du trou en forme de larve sur chaque poutre doit être orientée vers le haut (ou loin de vous). (Fig. 1)
2. Il existe deux versions des couvercles de support en U - un côté « A » et côté « B ». Avant de progresser, couvrez les supports en U sur la poutre verticale avec les couvercles en plaçant en miroir les couvercles sur l'assemblage vertical pré-boulonné.
3. Insérez l'extrémité libre du faisceau diagonal dans l'extrémité libre de la poutre horizontale supérieure. Alignez les trous et insérez les deux poutres dans le support en U en haut de la poutre verticale opposée. Utilisez la clé hexagonale incluse ou une mèche pour visser les boulons de montage vertical dans les trous et dans l'écrou à souder fixé au support en U. Ne serrez pas le boulon complètement pour l'instant. (Fig. 2)
4. Faites pivoter la poutre horizontale inférieure et insérez-la dans le support en U au bas de la poutre verticale opposée. Vissez un boulon de montage vertical à travers les trous et dans l'écrou à souder. Ne serrez pas le boulon complètement pour l'instant. (Fig. 2)
5. Répétez les étapes 1-4 pour assembler le deuxième cadre vertical. Une fois que les deux sont assemblés, vous pouvez serrer complètement les boulons sur les quatre coins. Veillez à ne pas trop serrer les boulons; il ne devrait pas y avoir de déformation des supports en U et/ou des poutres horizontales.

FIG. 1

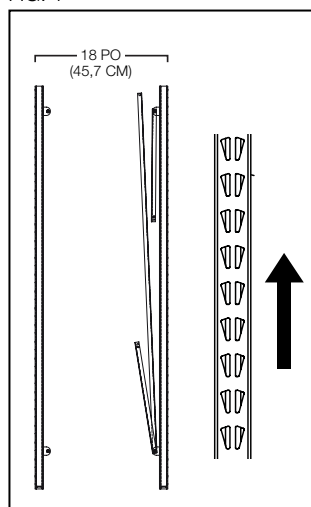
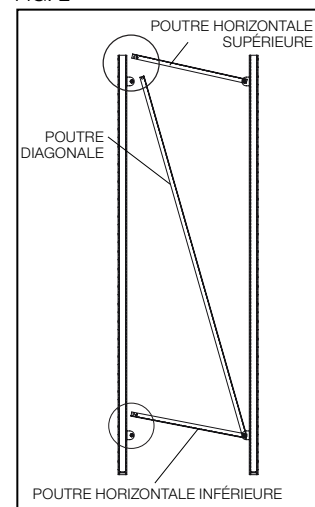


FIG. 2



Instructions pour la traverse (Fig. 3-5)

REMARQUE : Il est recommandé pour une personne supporte les cadres verticaux tandis qu'une deuxième personne installe les traverses.

1. Il y a un ensemble de languettes de verrouillage aux deux extrémités de chaque entretoise. Pour commencer l'assemblage, prenez la traverse et insérez les languettes dans deux des trous sur la partie inférieure d'un cadre vertical. Insérez les languettes de verrouillage dans les trous à l'aide d'un mouvement vers le bas. Le trou de la goupille de verrouillage doit être sur le dessus. Assurez-vous que l'extrémité de la traverse est assise contre le châssis en position verticale. (Fig. 3)
2. Répétez l'opération pour le côté opposé du cadre verticale. Frappez doucement sur les extrémités de la traverse la plus proche des cadres verticaux avec un maillet en caoutchouc jusqu'à ce qu'elle soit bien en place. La traverse et les languettes de verrouillage devraient facilement glisser en place. Sinon, vérifiez l'alignement des trous et des languettes en forme de larve. Trop de force peut endommager le verrouillage entre la traverse et le cadre vertical. (Fig. 4)
3. À l'aide des méthodes indiquées ci-dessus, installez une autre traverse du côté opposé aux cadres verticaux et parallèle à la première traverse que vous avez installé. Assurez-vous que les deux traverses sont au même niveau.
4. Continuez en installant les ensembles intermédiaires et supérieurs des traverses pour les cadres verticaux. Assurez-vous que les traverses sont fixées au même niveau sur les deux côtés (Fig. 5). Si vous envisagez d'empiler un autre support industriel DXST4500 sur le dessus, ne fixez PAS le troisième ensemble de traverses sur le dessus des cadres verticaux. Voir les instructions d'empilement.

FIG. 3

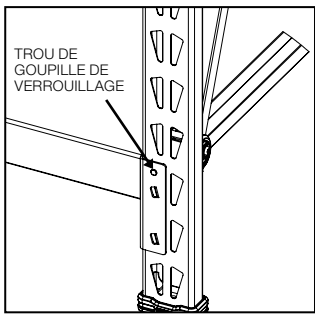


FIG. 4

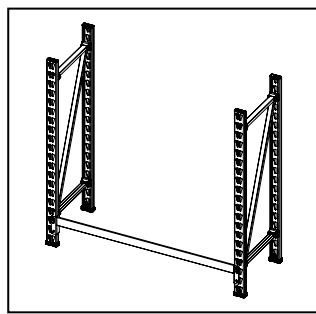
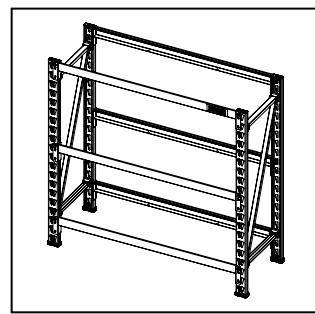


FIG. 5



Instructions pour le support de tablette et la barre de sécurité (Fig. 6-8)

REMARQUE : Il y a trois (3) sangles du support de l'étagère et deux (2) sangles de sécurité avec des écrous à souder pour chaque ensemble de traverses. (Fig. 6)

1. En commençant par l'ensemble le plus bas de traverses, placez une sangle de sécurité avec l'écrou à souder entre les crêtes inférieures des traverses où deux ensembles de trous ont été prépercés. Vissez un boulon de sangle de sécurité à travers le fond des trous prépercés et à travers les écrous à souder, et serrez complètement avec la clé hexagonale incluse ou une mèche. Répétez pour la deuxième sangle sur cet ensemble de traverses, et continuez pour les quatre dernières sangles. (Fig. 7)
2. Placez une sangle de support d'étagère perpendiculairement aux traverses et insérez chaque extrémité dans les fentes de chaque crête de la traverse. Répétez pour les sangles restantes. (Fig. 8)

FIG. 6



FIG. 7

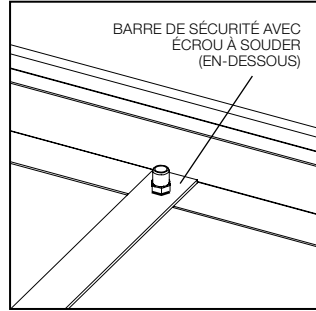
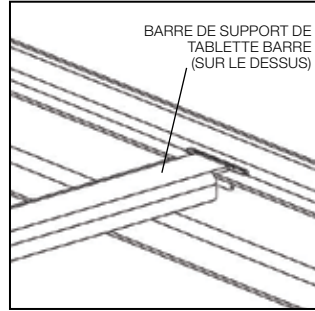


FIG. 8



Instructions pour le support de montage mural (Fig. 9-11)

▲ Les ancrages pour cloison sèche et les vis d'ancrage sont inclus avec cette étagère; cependant, différents types de fixations doivent être employés pour différents types de matériaux muraux. Utilisez des fixations adaptées à la surface murale concernée. Si vous ne savez pas quel type de fixations utiliser, veuillez communiquer avec votre quincaillerie locale.

1. Prenez la fixation en U et tournez-la à un angle permettant de la fixer à la rainure inférieure de la traverse. Une fois fixée, la partie arrière doit reposer à plat contre l'intérieur de la traverse. (Fig. 9)
2. Une fois installée, la fixation en U peut être déplacée d'un côté à l'autre (entre les deux barres de sécurité). Ceci permet de la fixer à une pièce de bois de deux pouces sur quatre pouces dans le mur. (Fig. 10)
3. La fixation en L comporte deux ensembles de quatre trous carrés permettant d'ajuster la distance entre l'étagère et le mur. Utilisez deux boulons de carrosserie et deux écrous de 10 mm pour fixer la fixation en L à la partie inférieure de la fixation en U. (Fig. 11)
4. Disposez l'étagère de façon à ce que l'extrémité plate de la fixation en L soit en contact avec le mur. À l'aide d'un crayon, marquez l'emplacement des quatre trous sur le mur. Utilisez les ancrages pour cloisons sèches, les vis d'ancrage et les outils appropriés seulement si vous sécurisez l'étagère à un mur en cloison sèche. Assurez-vous de suivre les instructions pour l'installation d'ancrages. (Fig. 11)

FIG. 9

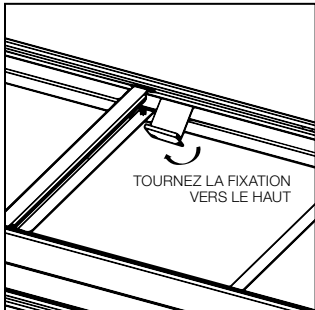


FIG. 10

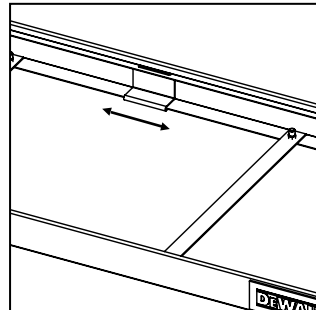
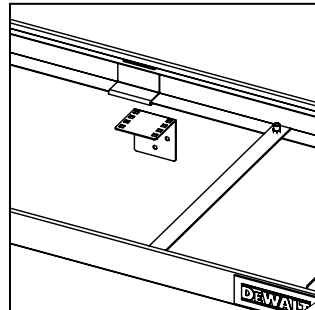


FIG. 11



▲ **AVERTISSEMENT :** Le basculement de l'étagère peut entraîner des blessures graves ou mortelles. Afin d'éviter que cela se produise, il est recommandé de fixer l'étagère à un mur, en particulier dans les zones sujettes aux séismes, là où les surfaces sont inégales et là où des enfants ou des animaux domestiques sont présents.

▲ Différents types de fixations doivent être employés selon les types de matériaux muraux. Utilisez des fixations adaptées au type de matériau mural concerné. Si vous ne savez pas quel type de fixations utiliser, veuillez communiquer avec votre quincaillerie locale.

Instructions grille mécanique et la goupille de verrouillage (Fig. 12-14)

REMARQUE : Chaque grille métallique comprend deux côtés - un côté « court » et un côté « long ». Si vous prévoyez sur les objets coulissants sur et hors de la tablette de l'avant du rack, alors nous recommandons d'avoir le côté « court » de la grille vers le haut. Si vous prévoyez faire glisser des objets à partir du côté du bâti, alors nous vous conseillons d'avoir le côté « long » orienté vers le haut.

1. Placez les grilles métalliques sur la crête supérieure de tous les ensembles restants de traverses. Si elles sont siégées correctement, les grilles « cliquent » en place et siègent uniformément. (Fig. 12)
2. Placez une agrafe de grille verrouillable au coin le plus à l'extérieur de l'étagère. Assurez-vous que le bord roulé avec la rainure est orienté vers le haut. (Fig. 13)
3. D'une main, appliquez de la pression à l'arrière de l'agrafe. Avec votre main libre, insérez un tournevis à tête plate (non inclus) dans la petite fente de l'agrafe pour étaler la dent vers le haut et par-dessus le fil qui est en dessous.
4. Retirez le tournevis. Le canal rainuré dans l'agrafe devrait maintenant correspondre avec le grillage métallique, qui aidera à le fixer à la poutre de l'étagère.
5. Répétez les étapes 2-4 pour les trois coins restants de la grille métallique, puis de nouveau pour toutes les étagères restantes.
6. Il y a un trou de goupille de verrouillage aux deux extrémités de chaque traverse. C'est là que les goupilles d'étagère verrouillable doivent être installées. Si une goupille ne glisse pas facilement en place, alors tapotez modérément l'extrémité de la traverse pour bien siéger les languettes de verrouillage. (Fig. 14)

FIG. 12

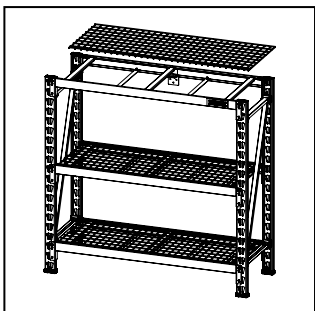


FIG. 13

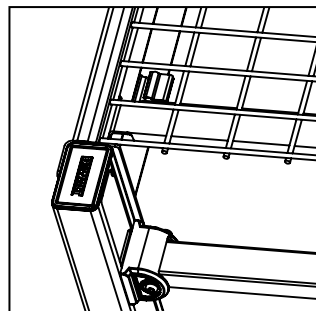
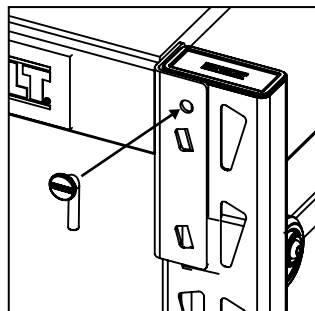


FIG. 14



Instructions d'empilement (Fig. 15-16)

REMARQUE : Chaque étagère industrielle DXST4500-W est livrée avec deux plaques (2) d'empilement. Pour empiler en toute sécurité deux de ces supports, vous DEVEZ utiliser quatre (4) de ces plaques.

REMARQUE : Il est recommandé qu'une personne garde les cadres verticaux en place tandis qu'une deuxième personne installe les plaques d'empilement.

1. Assemblez le deuxième ensemble de cadres verticaux en suivant les Instructions pour le châssis vertical extensible.
2. À l'aide d'un tournevis et d'un maillet en caoutchouc retirez les quatre couvercles noirs du fond des cadres verticaux nouvellement assemblés. Cela sera désormais l'étagère supérieure. Retirez tous les quatre couvercles noirs du haut du support entièrement assemblé. Ce sera désormais l'étagère inférieure. (Fig. 14)
3. Alignez et placez un cadre vertical sur un côté du support entièrement assemblé. Assurez-vous que les motifs de trous vont dans la même direction. Les supports d'empilement comportent un ensemble supérieur et inférieur de languettes de verrouillage. Engager l'ensemble supérieur de languettes dans le bas de la poutre verticale et l'ensemble inférieur de languettes de verrouillage dans le haut du cadre vertical. Utilisez le même mouvement que vous avez utilisé pour fixer les traverses pour fixer ces fixations. Les trous de goupille de verrouillage sur le support doivent être au fond. Répétez l'opération pour les trois supports d'empilement restants. (Fig. 14)
4. Insérez les goupilles de verrouillage de l'étagère dans les trous d'épingle ouverts sur les fixations. Assemblez les pièces restantes de l'étagère supérieure en suivant les instructions précédentes. (Fig. 1-14)

FIG. 15

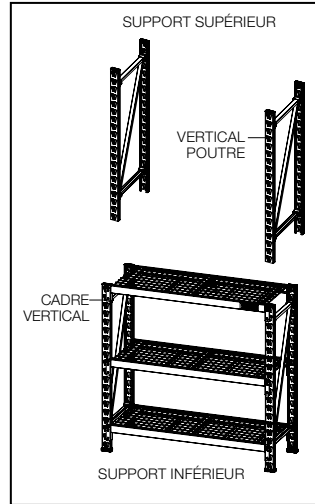
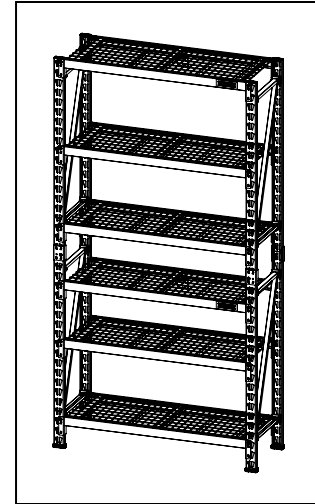
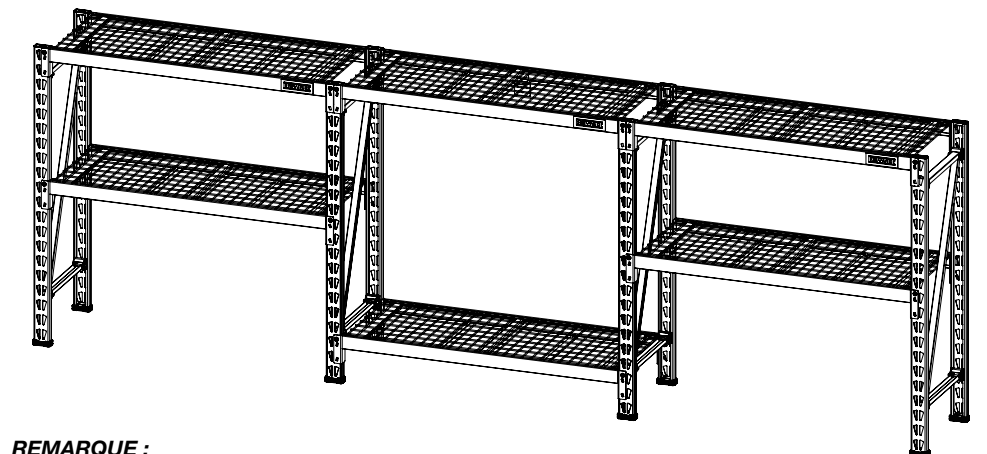


FIG. 16



Optimisez vos options de rangement de DEWALT



REMARQUE :

- Connectez plusieurs supports pour augmenter la longueur et la hauteur.
- Des supports supplémentaires sont vendus séparément.

Garantie limitée d'un an

DEWALT remplacera ce étagère industrielle en cas de défauts ou de défauts de fabrication pour une durée d'un an à compter de la date d'achat (assurez-vous de conserver votre reçu). Cette garantie ne couvre pas la défaillance d'une pièce en raison de l'usure normale ou d'un usage abusif. Cette garantie ne s'applique pas aux accessoires ni aux dommages causés par des réparations qui ont été effectuées ou tentées. Pour de plus amples informations relatives à la couverture de la garantie, veuillez appeler le 1-844-377-8451.

En plus de la garantie, les étagères DEWALT sont couverts par notre :

Garantie de remboursement de 90 jours

Si pour toute raison vous n'êtes pas entièrement satisfait de votre étagère industrielle DEWALT, vous pouvez le retourner dans les 90 jours à compter de la date d'achat, accompagné du reçu, pour un remboursement complet, sans avoir à vous justifier.

Amérique latine

Cette garantie ne couvre pas les produits vendus en Amérique latine. Pour les produits vendus en Amérique latine, consultez l'information de garantie particulière au pays concerné figurant sur l'emballage, appelez l'entreprise locale ou visitez le site Web afin d'obtenir les renseignements relatifs à la garantie.

JS PRODUCTS | 6445 MONTESSOURI STREET, LAS VEGAS, NV 89113
(SEP20) Part No. 41659 DXST4500BLK-W Copyright © 2020, DEWALT

DEWALT® y el logotipo de DEWALT son marcas comerciales de DEWALT Industrial Tool Co., o una filial del mismo y se usan bajo licencia. El gráfico de color negro y amarillo es una marca registrada para las herramientas eléctricas y los accesorios de DEWALT.

Definiciones: Normas de seguridad

Las siguientes definiciones describen el nivel de gravedad de cada palabra de señal. Lea el manual y preste atención a estos símbolos.

▲ **ADVERTENCIA:** Indica una situación de peligro potencial que, si no se evita, podría provocar la muerte o lesiones graves.

▲ **ATENCIÓN:** Indica una situación de peligro potencial que, si no se evita, posiblemente provocaría lesiones leves o moderadas.

▲ (Utilizado sin palabras) indica un mensaje de seguridad relacionado.

▲ **AVISO:** Se refiere a una práctica no relacionada a lesiones corporales que de no evitarse puede resultar en daños a la propiedad.

SI TIENE ALGUNA DUDA O ALGÚN COMENTARIO SOBRE ÉSTA U OTRA HERRAMIENTA DEWALT, LLÁMENOS AL NÚMERO GRATUITO: 1-844-377-8451



ADVERTENCIA! Lea y comprenda todas las instrucciones. Este manual contiene instrucciones importantes de seguridad y de funcionamiento. Lea atentamente este manual antes de armar esta estantería y guárdelo para futuras consultas.

GUARDE ESTAS INSTRUCCIONES

ESPECIFICACIONES TÉCNICAS

Especificaciones técnicas	
Capacidad total	4,500 lb (2,041 kg) *cuando el peso se distribuye de manera uniforme
Capacidad de cada estante	1,500 lb (680 kg) *cuando el peso se distribuye de manera uniforme
Altura	47" (119.4 cm)
Anchura	49.5" (126 cm)
Profundidad	18" (45.7 cm)

▲ SEGURIDAD EN GENERAL

- Mantenga el área de trabajo limpia y seca.
- Utilice las herramientas correctas/recomendadas para el trabajo.
- Nunca deje herramientas desatendidas.
- Nunca fuerce una pieza para que entre en su lugar.
- Use ropa de seguridad.
- Utilice gafas/lentes de seguridad.
- Nunca se arrastre, se siente, se ponga de pie ni se suba a una estantería.
- Mantenga las piezas pequeñas fuera del alcance de los niños. Nunca deje a un niño pequeño sin supervisión durante el ensamblaje.
- Use siempre el sentido común: usted es el responsable de su seguridad personal.

DATOS DE SEGURIDAD ESPECÍFICOS PARA EL SOPORTE DE PARED

▲ ADVERTENCIA: Pueden ocurrir lesiones graves o mortales si el estante se cae. Para evitar que esto suceda, la estantería debe asegurarse a una pared, en especial en zonas propensas a terremotos, donde las superficies son desiguales y donde haya niños y/o mascotas.

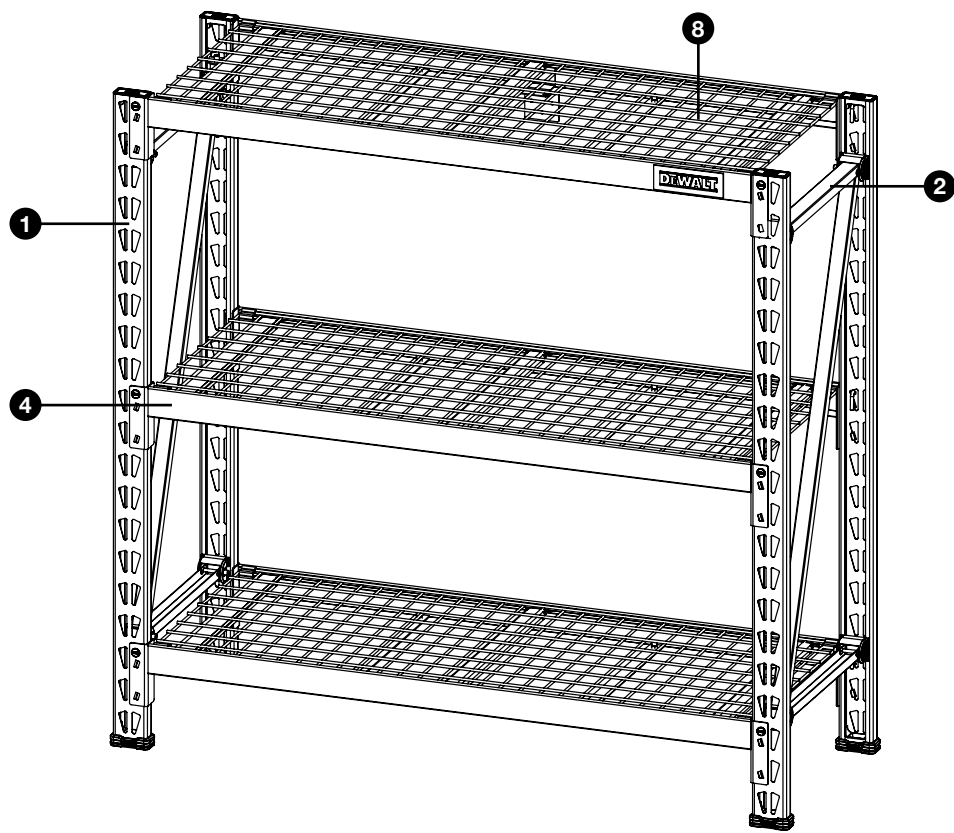
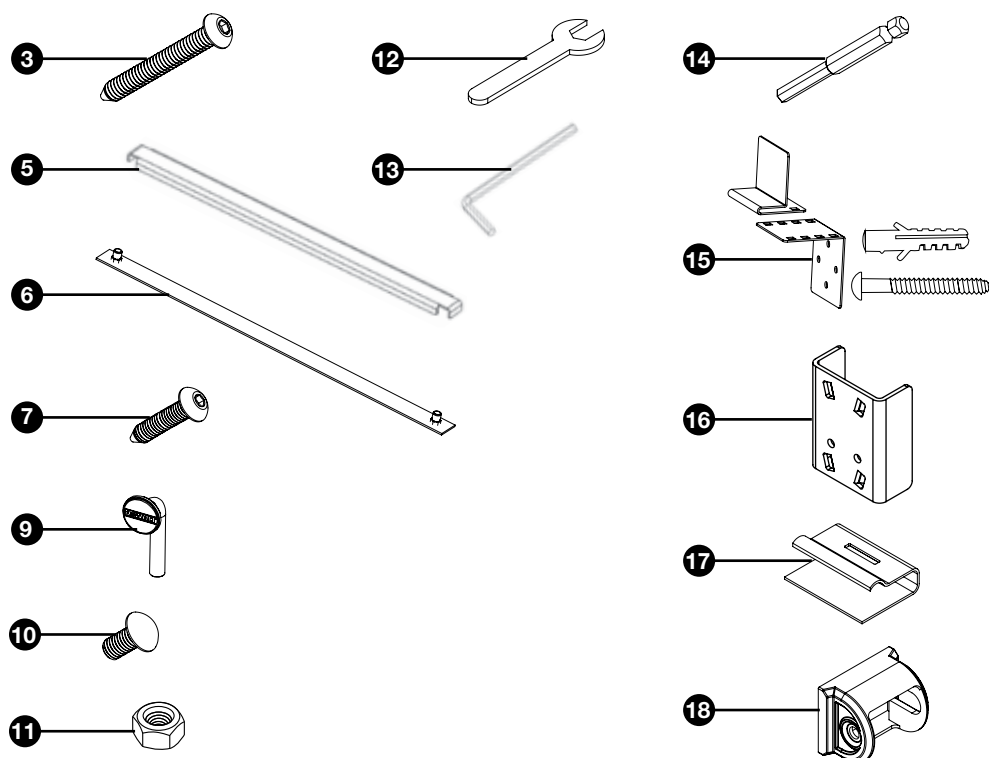
▲ Materiales de pared distintos requieren tipos distintos de elementos de fijación. Utilice los herrajes más adecuados para su tipo específico de elementos de fijación. Si no está seguro de qué tipo de elementos de fijación debe usar, póngase en contacto con su ferretería local.

▲ ADVERTENCIA: NO EXCEDA LOS SIGUIENTES LÍMITES DE PESO AL USAR ESTA ESTANTERÍA

- Carga máxima para cada repisa: hasta 1500 lb (680 kg) cuando el peso se encuentra distribuido de manera uniforme.
- Se recomienda que la carga más pesada sea colocada en el estante inferior.

Lista de piezas:

N.º	Descripción	Cant.	N.º	Descripción	Cant.
1	Viga vertical	2	9	Pasador de bloqueo de estante	16
2	Ensamblaje vertical previamente atornillado	2	10	Perno de coche	2
3	Perno de ensamblaje vertical	4	11	Tuerca de 10 mm	2
4	Travesaño	6	12	Llave de 10 mm	1
5	Agarradera de soporte de repisa	9	13	Llave hexagonal 4 mm	1
6	Agarradera de seguridad con tuerca unión	6	14	Broca hexagonal 4 mm	1
7	Perno de agarradera de seguridad	12	15	Ensamblaje de soporte de pared	1
8	Rejilla metálica	3	16	Placa de apilamiento	2
			17	Clip de bloqueo para la rejilla	12
			18	Cubierta de soporte en U	4



Herramientas necesarias para armar el estante: llave hexagonal de 4 mm (incluida) O broca de 4 mm (incluida); mazo de caucho (no incluido), destornillador de cabeza plana (no incluido).

LEA TODAS INSTRUCCIONES

▲ ANTES DE EMPEZAR:

- Lea todas las instrucciones con detenimiento.
- Saque de la caja todos los componentes y colóquelos en el suelo de manera ordenada.
- Utilice protección para los ojos.
- Tenga cuidado con los bordes filosos.
- Guarde esta información para futura referencia.
- Si no está colocando un segundo estante en este momento, guarde las placas de apilamiento para un posible uso en el futuro, ya que las necesitará.

▲ ADVERTENCIA: Pueden ocurrir lesiones graves o mortales si la estantería se voltea. Para evitar que esto suceda, la estantería ensamblada debe estar asegurada en todo momento a una pared, en especial en ambientes propensos a terremotos, donde las superficies son desiguales y donde hay niños o mascotas.

Instrucciones para el marco vertical expandible (Fig. 1-2)

NOTA: Para facilitar el ensamblaje, dos (2) vigas verticales cuentan con vigas horizontales y diagonales atornilladas previamente, además de cubiertas de soporte en U preajustadas.

1. Coloque una (1) viga vertical y un (1) conjunto vertical previamente atornillado en el suelo, paralelos entre sí (a unos 18"/45.7 cm de distancia). La parte más ancha del patrón de orificios con forma de lágrima en cada viga debe estar mirando hacia arriba (o lejos de usted). (Fig. 1)
2. Hay dos versiones de las cubiertas de soporte en U: un lado "A" y un lado "B". Antes de seguir avanzando, cubra los soportes en U en la viga vertical con las cubiertas al reflejar las cubiertas en el conjunto vertical previamente atornillado.
3. Tome el extremo libre de la viga diagonal e insértelo en el extremo libre de la viga horizontal superior. Alinee los orificios e inserte ambas vigas en el soporte en U en la parte superior de la viga vertical opuesta. Utilice la llave hexagonal o broca incluida y coloque un perno de montaje vertical en los orificios y en la tuerca de unión que se encuentra en el soporte en forma de U. No ajuste completamente el perno aún. (Fig. 2)
4. Gire hacia afuera la viga horizontal inferior e insértela en el soporte en forma de U en la parte inferior de la viga vertical opuesta. Enrosque un perno de montaje vertical a través de los orificios y dentro de la tuerca de unión. No ajuste completamente el perno aún. (Fig. 2)
5. Repita los pasos 1-4 para armar el segundo marco vertical. Una vez que haya armado ambos, ajuste los pernos por completo en las cuatro esquinas. Tenga cuidado de no ajustar demasiado los pernos. No debe haber ninguna deformación en los soportes en forma de U ni en las vigas horizontales.

FIG. 1

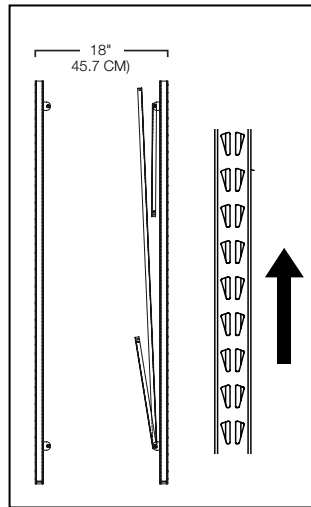
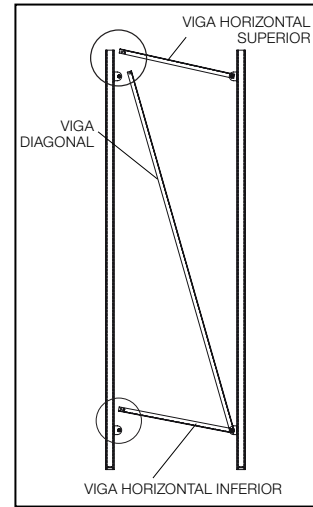


FIG. 2



Instrucciones para la viga transversal (Fig. 3-5)

NOTA: Se recomienda que una persona sostenga los marcos verticales en su lugar mientras que otra persona instala los travesaños.

1. Hay un conjunto de lengüetas de bloqueo en ambos extremos de cada travesaño. Para comenzar a armar, tome un travesaño e inserte las lengüetas en dos de los agujeros en la parte inferior de un marco vertical. Enganche las lengüetas de bloqueo en los orificios utilizando un movimiento hacia abajo. El orificio del pin de bloqueo debe estar en la parte superior. Asegúrese de que el extremo de la viga quede al ras contra el marco en posición vertical. (Fig. 3)
2. Repita en el lado opuesto del marco vertical. Golpee los extremos del travesaño más cercano a los marcos verticales usando un martillo de goma hasta que esté totalmente en su lugar. Las lengüetas de bloqueo y el travesaño deben deslizarse fácilmente en su lugar. Si no lo hacen, entonces vuelva a revisar la alineación de las pestañas y agujeros en forma de lágrima. El exceso de fuerza puede dañar el dispositivo de seguridad que se encuentra entre el travesaño y el marco vertical. (Fig. 4)
3. Utilizando los métodos mencionados anteriormente, instale el otro travesaño del lado opuesto de los marcos verticales, paralelo al primer travesaño que instaló. Asegúrese de que ambos travesaños se encuentren al mismo nivel.
4. Continúe instalando el conjunto de travesaños del medio y superior en los marcos verticales. Asegúrese de que los travesaños se encuentran colocados al mismo nivel en ambos lados (Fig. 5). Si tiene pensado colocar otro estante industrial DXST4500 en la parte superior, entonces NO conecte el tercer juego de travesaños en la parte superior de los marcos verticales. Consulte las instrucciones de apilamiento.

FIG. 3

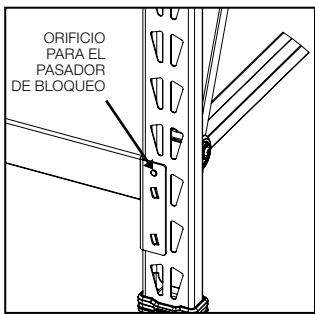


FIG. 4

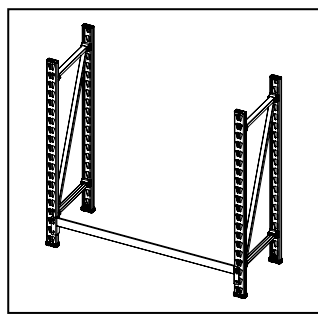
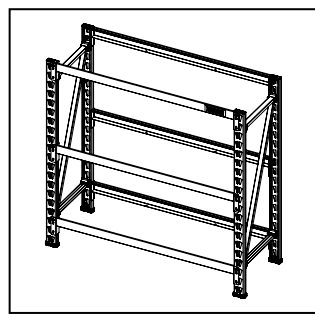


FIG. 5



Instrucciones de barra de soporte y seguridad del estante (Fig. 6-8)

NOTA: Hay dos (2) correas de seguridad con tuercas de unión y tres (3) correas de soporte de estante para cada conjunto de vigas transversales. (Fig. 6)

- Comenzando con el conjunto inferior de vigas transversales, coloque una correa de seguridad con una tuerca de unión entre los bordes inferiores de las vigas transversales donde se han taladrado previamente dos conjuntos de orificios. Pase una correa de seguridad a través de la parte inferior de los orificios previamente taladrados y a través de las tuercas de unión, y ajuste por completo con la llave hexagonal o broca incluida. Repita para la segunda correa en este conjunto de vigas transversales, y continúe para las últimas cuatro correas. (Fig. 7)
- Coloque una correa de soporte de estante perpendicular a las vigas transversales, e inserte cada extremo en las ranuras de cada borde de la viga transversal. Repita para las ocho correas restantes. (Fig. 8)

FIG. 6



FIG. 7

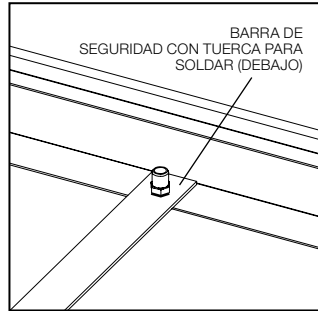
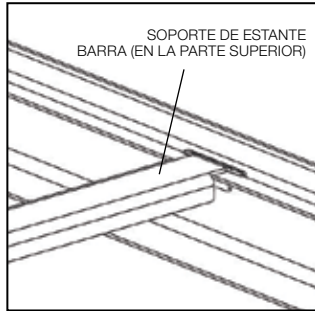


FIG. 8



Instrucciones para el montaje en la pared (Fig. 9-11)

▲ Los anclajes para pared de yeso y los tornillos de anclaje se encuentran incluidos con esta estantería; sin embargo, diferentes materiales de pared requieren diferentes tipos de elementos de fijación. Utilice los herrajes más adecuados para su tipo específico de elementos de fijación. Si no está seguro de qué tipo de elementos de fijación debe usar, póngase en contacto con su ferretería local.

- Tome el soporte en forma de U y balancee hacia arriba en un ángulo para colocarlo en el canal interno inferior de la viga transversal. Una vez conectado, la parte posterior estará al ras contra la parte interna del travesaño. (Fig. 9)
- Una vez colocado, el soporte en forma de U puede moverse de un lado a otro (entre las dos barras de seguridad). Esto permite que pueda colocarse a un 2 x 4 en la pared. (Fig. 10)
- El soporte en forma de L tiene dos juegos de cuatro agujeros cuadrados que le permiten ajustar la distancia entre la estantería y la pared. Use dos bulones y dos tuercas de 10 mm para fijar el soporte en forma de L a la parte inferior del soporte en forma de U. (Fig. 11)
- Coloque la estantería de manera que el extremo plano del soporte en forma de L toque la pared. Utilice un lápiz para marcar la ubicación de los cuatro orificios en la pared. Utilice los anclajes para pared de yeso que vienen incluidos, los tornillos de anclaje y las herramientas apropiadas si está asegurando el estante a una pared de yeso. Asegúrese de seguir las instrucciones estándar para instalar los tornillos de anclaje. (Fig. 11)

FIG. 9



FIG. 10

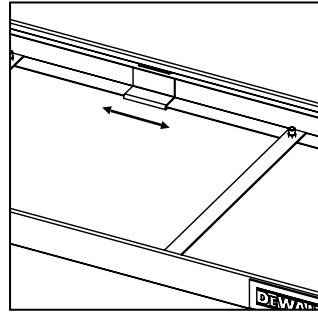
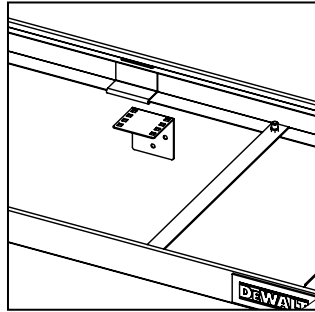


FIG. 11



▲ **ADVERTENCIA:** Se pueden producir lesiones graves o la muerte por el vuelco de la estantería sobre una persona. Para evitar que esto suceda, la estantería debe asegurarse a una pared, en especial en zonas propensas a terremotos, donde las superficies son desiguales y donde haya niños y/o mascotas.

▲ Materiales de pared distintos requieren tipos distintos de elementos de fijación. Utilice los elementos de fijación más adecuados para su tipo específico de pared. Si no está seguro de qué tipo de elementos de fijación debe usar, póngase en contacto con su ferretería local.

Instrucciones para las rejillas metálicas y los pasadores de bloqueo de los estantes (Fig. 12-14)

NOTA: Cada rejilla metálica consta de dos lados: un lado "corto" y uno "largo". Si planea deslizar objetos dentro y fuera del estante desde la parte frontal de la estantería, le recomendamos colocar el lado "corto" de la rejilla hacia arriba. Si planea deslizar objetos desde un lado de la estantería, le recomendamos tener el lado "largo" hacia arriba.

- Ponga las rejillas metálicas sobre el borde superior de todos los conjuntos de vigas transversales. Si se colocan correctamente, las rejillas harán "clic" en su lugar y se asentarán uniformemente. (Fig. 12)
- Coloque un clip de bloqueo de rejilla en la esquina más externa del estante. Asegúrese de que el borde enrollado con la ranura quede hacia arriba. (Fig. 13)
- Con una mano, aplique presión a la parte posterior del clip. Con la mano libre, inserte un destornillador de cabeza plana (no incluido) en la ranura pequeña del clip para extender la punta hacia arriba y sobre el cable que se encuentra debajo.
- Tire hacia atrás el destornillador. El canal ranurado en el clip ahora debe coincidir con la plataforma metálica, lo que ayudará a asegurarla en la viga de la estantería.
- Repita los pasos 2-4 para las tres esquinas restantes de la rejilla metálica, y luego otra vez para todos los estantes restantes.
- Hay un orificio para el pasador de bloqueo en ambos extremos de cada viga transversal. Allí es donde se deben instalar los pasadores de bloqueo del estante. Si un pasador no se desliza con facilidad en su lugar, toque ligeramente el extremo de la viga transversal para asentar por completo las pestañas de bloqueo. (Fig. 14)

FIG. 12

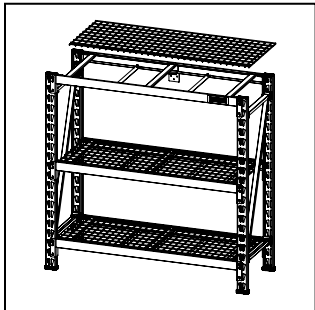


FIG. 13

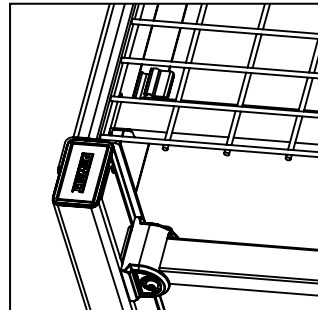
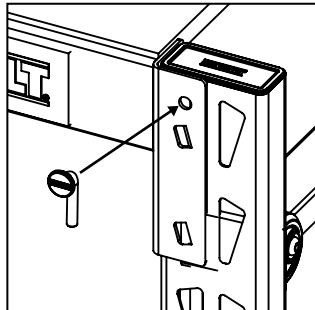


FIG. 14



Instrucciones de apilamiento (Fig. 15-16)

NOTA: cada estante industrial DXST4500-W viene con dos (2) placas de apilamiento. Con el fin de colocar juntos de forma segura dos de estos estantes, DEBE utilizar cuatro (4) de estas placas.

NOTA: Se recomienda que una persona tenga agarrado los marcos verticales en su lugar, mientras que otra persona instala las placas de apilamiento.

- Arme el segundo conjunto de marcos verticales siguiendo las Instrucciones para el marco vertical expandible.
- Utilizando un destornillador y un martillo de goma, retire las cuatro tapas negras de la parte inferior de los marcos verticales que acaba de armar. Este será el estante superior. Retire las cuatro tapas negras de la parte superior del estante totalmente armado. Este será el estante inferior. (Fig. 15)
- Colóquelos alineados y coloque el marco vertical en la parte superior de uno de los lados del estante totalmente armado. Asegúrese de que los patrones de los agujeros van en la misma dirección. Los soportes de apilamiento cuentan con un conjunto superior e inferior de lengüetas de bloqueo. Enganche el conjunto superior de lengüetas en la parte inferior de la viga vertical y el conjunto inferior de lengüetas de bloqueo en la parte superior del marco vertical. Utilice el mismo movimiento hacia abajo para fijar estos soportes como lo hizo con los travesaños. Los agujeros de los pines de bloqueo del soporte deben estar en la parte inferior. Repita para los tres soportes de apilamiento restantes. (Fig. 15)
- Inserte los pines de bloqueo de la repisa en los agujeros de los pines abiertos en los soportes. Arme las piezas restantes del estante superior siguiendo las instrucciones previas. (Fig. 1-14)

FIG. 15

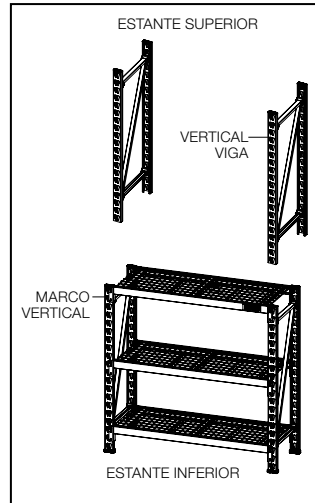
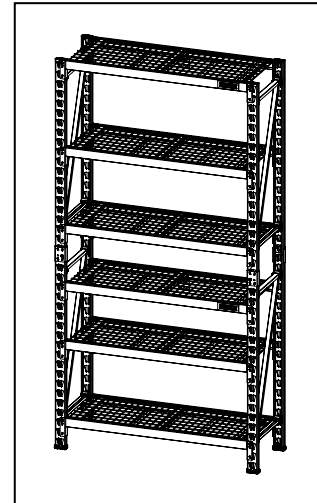
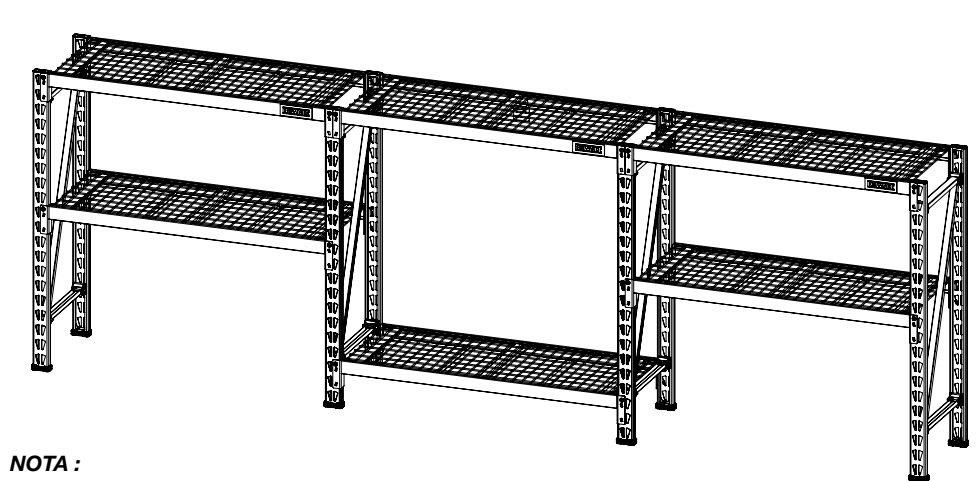


FIG. 16



Maximice sus opciones de almacenamiento DEWALT



NOTA :

- Conecte varias estanterías juntas para aumentar la longitud y la altura.
- Los estantes se venden por separado.

Garantía limitada de un año

DEWALT reemplazará estantería industrial debido a materiales o mano de obra defectuosos durante un año a partir de la fecha de compra (asegúrese de guardar la factura). Esta garantía no cubre el deterioro debido al desgaste normal o abuso de la estantería. Esta garantía no se aplica en accesorios o daños causados cuando se han realizado o intentado hacer reparaciones. Si desea más información sobre la cobertura de la garantía, llame al 1-844-377-8451.

Además de la garantía, las estanterías DEWALT están cubiertas por nuestra:

Garantía de devolución de dinero de 90 días

Si no está completamente satisfecho con rendimiento de su estantería industrial DEWALT por cualquier razón, puede devolverlo dentro de los 90 días a partir de la fecha de compra con un recibo para obtener un reembolso completo, sin preguntas.

América latina

Esta garantía no se aplica a los productos que se venden en América Latina. Para los productos que se venden en América Latina, consulte la información de garantía específica para cada país ubicada en el empaque; llame a la compañía local o visite el sitio Web para buscar información sobre la garantía.